

# TRANSISTORS FOR BROADCAST APPLICATIONS



Your Single Source for Transistors

# TRANSISTORS - BROADCAST APPLICATIONS



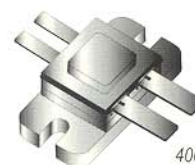
280 4L STUD



450 BAL FLG (A)



450 BAL FLG (B)



400 BAL FLG (A)



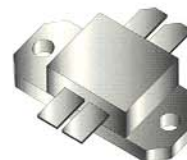
205 4L STUD A



400 BAL FLG (C)



400 BAL FLG (B)



250 BAL FLG

## Television Band IV and V Linear Devices

Part Number	Pout Min. Watts (PK Sync)	Gain Min. dB	TEST CONDITIONS				IMD* Min. dBc	$\theta_{JC}$ °C/W	Package Outline
			Vce Volts	Ic mA	Freq. MHz				
TVU 0.5	0.5	10.0	20.0	220	860	-58	22.0	280 4L Stud	
TVU 0.5A	0.5	9.5	20.0	150	860	-58	33.0	205 4L Stud	
TVU 0.5B	0.5	13.0	20.0	150	860	-58	33.0	205 4L Stud	
TVU 001	1.0	10.0	20.0	440	860	-60	12.0	280 4L Stud	
TVU 002	2.0	10.0	25.0	410	860	-60	10.0	280 4L Stud	
TVU 004	4.0	7.0	25.0	850	860	-60	5.5	280 4L Stud	
TVU 004	4.0	8.5	25.0	850	860	-60	7.0	280 4L Stud	
TVU 012	12.0	9.0	26.5	2 x 0.85	860	-52	1.6	400 8L Flg	
TVU 014	14.0	8.5	25.0	2 x 850	860	-50	2.5	250 Bal Flg	
TVU 020	20.0	8.5	26.5	2 x 1350	860	-46	1.2	400 Bal Flg (A)	
	40.0**	7.5	28.0	2 x 100	860	-----			
TVU 020A	20.0	8.5	26.5	2 x 1350	860	-46	1.2	450 Bal Flg (B)	
	40.0**	7.5	28.0	2 x 100	860	-----			
TVU 025	25.0	8.0	25.0	2 x 1600	860	-45	1.0	450 Bal Flg (A)	
	50.0**	7.0	28.0	2 x 250	860	-----			
TVU 100	100.0**	8.5	28.0	2 x 100	860	-----	1.0	450 Bal Flg (A)	
TVU 150	40.0	11.0	26.5	2 x 3000	860	-58	0.55	400 Bal Flg (C)	
	150**	10.0	28.0	2 x 150	860	-----			
TVU 150A	150.0	6.5	28.0	2 x 500	860	-----	0.55	450 Bal Flg (B)	

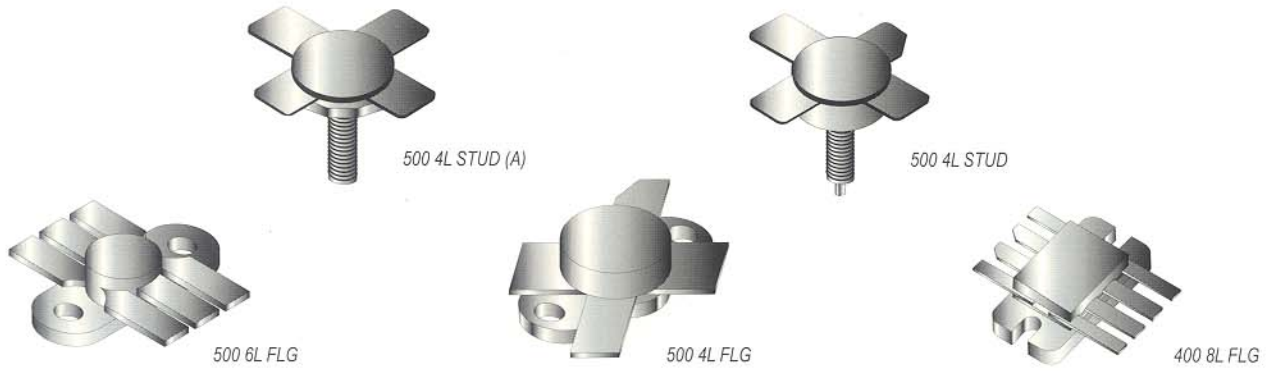
Notes: 1 - Refer to individual data sheet for dimensions

\* Vision = -8 dB, Sound = -10 dB and Chroma = -16 dB

\*\* 1 dB compression point, PK Sync.



# TRANSISTORS - BROADCAST APPLICATIONS



## FM Broadcast Devices

### TEST CONDITIONS

Part Number	Pout Min. Watts	GAIN Min. dB	Vce Volts	Freq. MHz	$\eta_c$	Cob Typ. pF	$\theta_{JC}$ °C/W	Package Outline
FMB 075	75.0	10.0	28.0	108	65	75	1.5	500 4L FLG
FMB 150	150.0	9.0	28.0	108	65	140	1.1	500 4L FLG
FMB 175	175.0	9.0	28.0	108	65	180	0.7	500 6L FLG

## Television Band III Linear Devices

### TEST CONDITIONS

Part Number	Pout Min. Watts (PK Sync)	Gain Min. dB	Vce Volts	Ic mA	Freq. MHz	IMD* Min. dBc	$\theta_{JC}$ °C/W	Package Outline
TVV 005	5.0	15.0	28.0	1000	225	-55	3.5	280 4L Stud
TVV 007	7.5	10.0	25.0	1200	225	-55	3.3	500 6L Flg
TVV 010	10.0	10.0	25.0	1600	225	-54	2.2	375 4L Stud
TVV 014	14.0	8.0	25.0	2500	225	-55	1.8	500 6L Flg
TVV 014A	14.0	14.0	25.0	2500	225	-55	1.5	500 6L Flg
TVV 020	20.0	8.0	25.0	2500	225	-51	1.5	500 4L Stud
TVV 030	30.0	6.0	25.0	5000	225	-55	1.2	500 6L Flg
TVV 030A	30.0	7.5	25.0	3500	225	-53	1.2	500 4L Stud (A)
TVV 100	28.0	14.0	26.5	2 x 2250	225	-51	0.8	400 8L Flg
	100.0**	11.0	28.0	2 x 100	225	-----	-----	

Notes: 1 - Refer to individual data sheet for dimensions  
 \* Vision = -8 dB, Sound = -10 dB and Chroma = -16 dB  
 \*\* 1 dB compression point

# ASI CROSS REFERENCE TO INDUSTRY STANDARDS

ACRIAN P/N	ASI P/N
CD2810	TVU 0.5
CD2811	TVU 001
CD2812	TVU 002
CD2813	TVU 004
FM150	FMB 150
UTV005	TVU 0.5
UTV010	TVU 001
UTV020	TVU 002
UTV040	TVU 004
UTV080	TVU 020
UTV120	TVU 012
UTV150	TVU 020
UTV200	TVU 020
VTV075	TVV 007
VTV150	TVV014
VTV300	TVV 030
VTV1250	TVV 100
VTV1500	TVU 150

MOTOROLA P/N	ASI P/N
TPV364	TVV 010
TPV375	TVV 020
TPV385	TVV 014A
TPV394A	TVV 005
TPV590	TVU 0.5B
TPV591	TVU 0.5B
TPV593	TVU 002
TPV595A	TVV 014A
TPV596A	TVU 0.5
TPV597	TVU 001
TPV598	TVU 004
TPV695A	TVU 014
TPV3100	TVV 100
TPV5051	ASI 5051
TPV5055B	TVU O25
TPV7025	TVU 025
TPV8100B	TVU 100
TPV8200B	TVU 150

PHILIPS P/N	ASI P/N
BLV25	FMB 175
BFQ68	TVU 0.5
BLV30	TVU 002
BLV31	TVV 005
BLV33	TVV 030A
BLV36	TVV 100
BLV57	TVU 012
BLV58	TVU 025
BLW32	TVU 0.5
BLW33	TVU 001
BLW34	TVU 004
BLV62	TVU 150
BLV80/28	FMB 075
BLW76	FMB 075
BLW98	TVU 004
BLX96	TVU 001
BLX97	TVU 001
BLX98	TVU 004

SGS-THOMSON P/N	ASI P/N
SD1437	TVU 002
SD1439	TVU 0.5
SD1448	TVU 004
SD1449	TVU 001
SD1455	TVV 020
SD1456	TVV 100
SD1457	FMB 075
SD1458	TVV 014A
SD1459	TVV 030A
SD1460	FMB 150
SD1485	TVV 200
SD1489	TVU 025
SD1490	TVU 025
SD1492	TVU 150A
SD1732	TVU 014
SD4010	TVU 020
SD4011	TVU 004
SD4100	TVU 100
SD4200	TVU 150

\*Parts listed represent just a small portion of transistors available from ASI.  
 ASI also has the capabilities to fulfill custom requirements as well as obsolete transistors.

For a quotation or additional information on your specific requirements, please contact ASI.



CORPORATE OFFICES: 7525 ETHEL AVENUE • NORTH HOLLYWOOD, CALIFORNIA 91605 • U.S.A.

TEL: (818) 982-1200 • (800) 423-2354 • FAX: (818) 765-3004 • website: [www.adsemi.com](http://www.adsemi.com) • email: [sales@adsemi.com](mailto:sales@adsemi.com)